

# BCS-D & BT

## Digital crane scales



BCS-BT

BCS-D



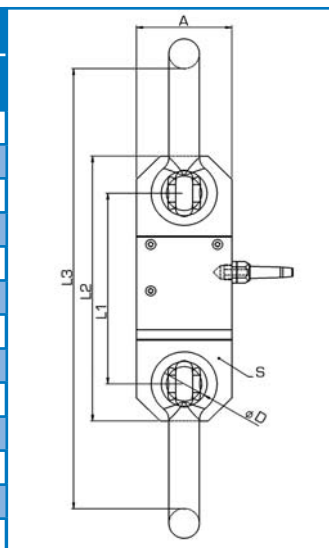
Bluetooth

### BCS BENEFITS

- Capacity from 500 kg up to 200 tons
- Easy and safe to use
- BCS-D with cable connection and BCS-BT with Bluetooth connection
- USB Data Transfer – flexible and quick



CAPACITY (kg)	INCREMENT (kg)	DIMENSIONS						WEIGHT (kg)	SHIPPING WEIGHT	
		A	L2	D	L3	L1	S		WITHOUT SHACKLES	WITH SHACKLES
500	0,2	100	200	17	272	160	19	4	6	7
1000	0,5	100	200	17	272	160	19	4	6	7
2000	1	100	200	17	272	160	19	4	6	7
3200	1	100	220	20	309	170	26	6	7,5	9
5000	2	100	240	26	373	180	35	8	8,5	12
6300	2	100	240	26	373	180	35	8	8,5	12
10 000	5	100	285	36	478	205	49	12	12	22
20 000	10	110	380	52	667	260	68	21	26	54
32 000	10	130	440	59	761	310	68	27	30	75
50 000	10	150	490	72	934	330	68	36	38	120
75 000	20	190	560	84	-	380	88	65	-	-
100 000	100	200	600	97	-	380	96	80	-	-
200 000	100	220	680	97	-	440	105	120	-	-



# Crane scale BCS for demanding use

## Delivery includes

- Scale unit
- DR10
- Charger
- Calibration certificate
- 2 pcs batteries and charger for the BT load cell unit

## Options

- USB data transfer cable
- Lifting equipment (shackles, hook, ring)

## Capacities up to 200 tons

Reliability, accuracy, and extended capacity range are the features that make the BCS series scales an ideal solution for demanding weighing as well as for testing purposes. Bluetooth version is available in capacities from 20 - 200 t.

## Easy to operate

When access to the scale is restricted, the BCS-D crane scale equipped with a hand held remote unit ensures that operating the scale is easy and safe. When even longer operation range is required, the BCS-BT scale with Bluetooth connection between the hand held unit and the load cell is a useful alternative.

## Advanced data transfer options via USB

As an option, USB data transfer through cable or USB stick improve the utilization and storage of the weighing data.

## Technical data: Scale unit

- Accuracy  $\pm 0,1\%$  of capacity + 1 increment
- Graphic LCD display with backlight
- Taring 100% of capacity
- Load cell breaking strength 500% of capacity
- Overload warning
- Operation time with fully-charged battery over 40 hours
- USB port for charging, data upload and data transfer
- Operation temperature range:  $-10\text{ }^{\circ}\text{C}$  to  $+55\text{ }^{\circ}\text{C}$  ( $50\text{ }^{\circ}\text{F}$  to  $+131\text{ }^{\circ}\text{F}$ )
- Memory for 1800 weighing records (time, date, material codes)
- Alphanumeric material code, 8 digits
- Available as lbs and kN display versions

Tamtron Group consists of Tamtron companies in Finland, Sweden, Poland, Czech Republic, Slovakia, China, Germany and Estonia. We export to over 50 countries and have over 25 000 deliveries worldwide. Our speciality is weighing equipment and information systems for demanding conditions.



### TAMTRON GROUP

P.O. Box 15, (Vestonkatu 11)  
FI-33561 TAMPERE, Finland  
Tel. +358 3 3143 5000  
Fax +358 3 3143 5050  
weighing@tamtron.fi



tamtrongroup.com

## Reliable partner in weighing for over 40 years

As a result of know-how, work quality, continuity and resources Tamtron Oy has been granted the ISO 9001:2008 quality certificate and rights to do verifications. Tamtron Group and its worldwide network take care of sales, installation and service whenever needed.